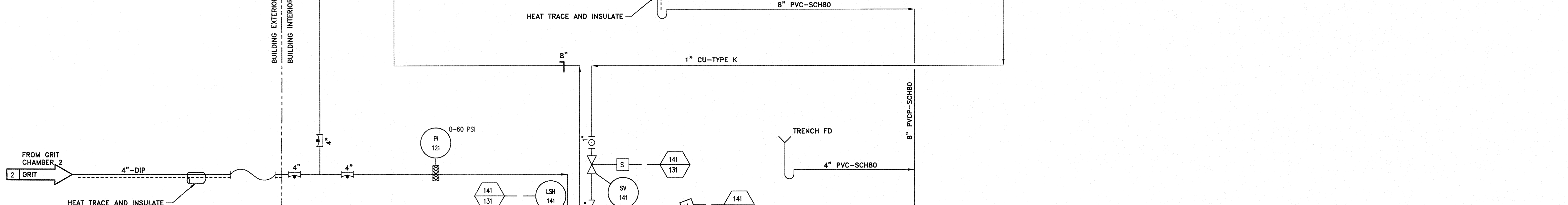
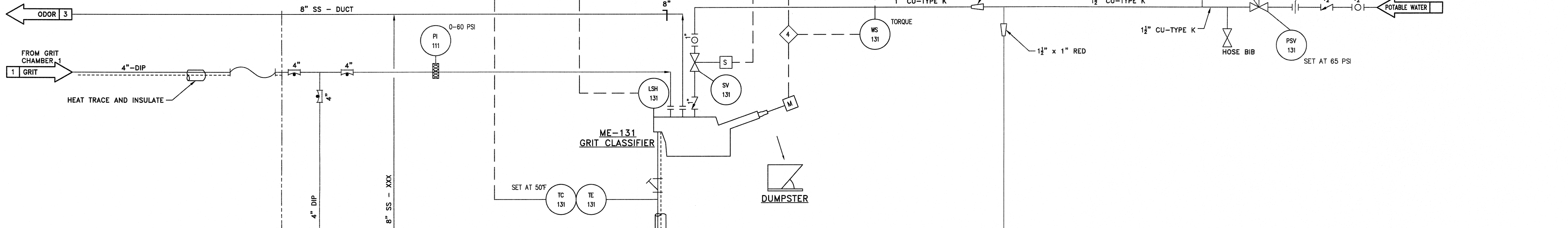
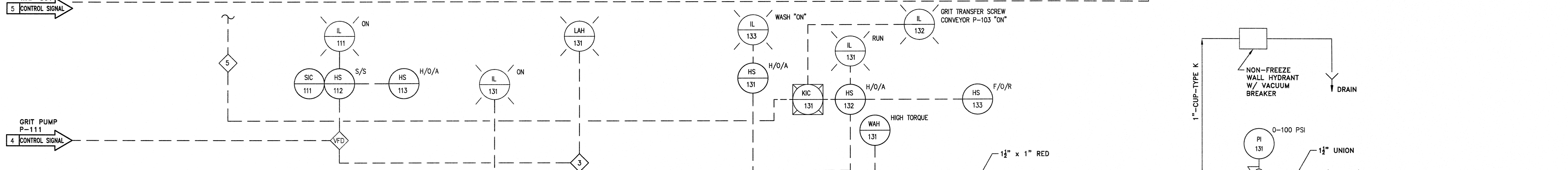
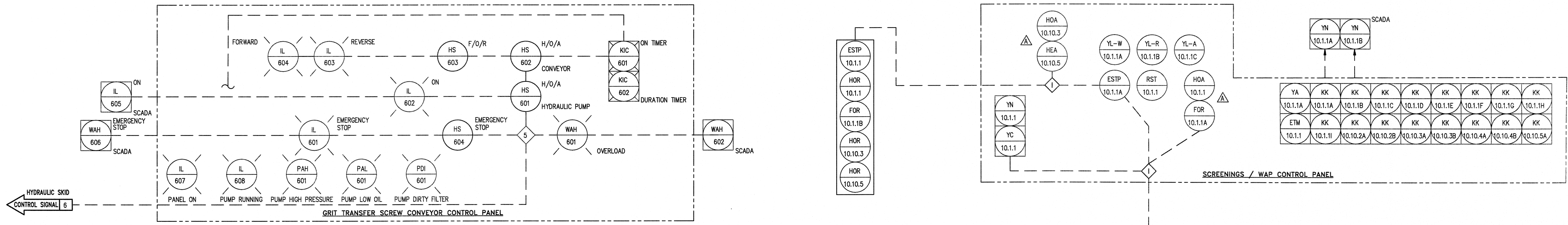


P:\Projects\4\10\2017\2:54 PM Lant saved: 4/10/2017 2:55 PM File Name: K:\Projects\4\10\2017\26025000\Drawings\4\1-284-3_P&ID.dwg



INTERLOCK:
 3 UPON GRIT CLASSIFIER ME-131 HIGH LEVEL ALARM LAH-131, SHUT DOWN GRIT PUMP P-111 AND GRIT TRANSFER SCREW CONVEYOR ME-601.
 UPON GRIT CLASSIFIER ME-141 HIGH LEVEL ALARM LAH-141, SHUT DOWN GRIT PUMP P-121 AND GRIT TRANSFER SCREW CONVEYOR ME-701.
 4 UPON CLASSIFICATION HIGH TORQUE ALARM (WAH-131), SHUT DOWN ME-131.
 UPON CLASSIFICATION HIGH TORQUE ALARM (WAH-141), SHUT DOWN ME-141.
 5 IN AUTO:
 -GRIT PUMP P-111 SHALL OPERATE WHENEVER GRIT TRANSFER SCREW CONVEYOR ME-601 IS IN OPERATION.
 -GRIT PUMP P-121 SHALL OPERATE WHENEVER GRIT TRANSFER SCREW CONVEYOR ME-701 IS IN OPERATION.
 -GRIT PUMPS P-111 & P-121 SHALL SHUT OFF WITH A SET TIME DELAY (VARIABLE-0 TO 60 MINUTES) AFTER THE RESPECTIVE GRIT CONVEYOR (ME-601/ME-701) TURNS OFF.
 -GRIT CLASSIFIER SCREW ME-131 SHALL BE ENERGIZED/STARTED SO THAT IT FUNCTIONS FOR A SET PERIOD OF TIME (0-15 MINUTES) PRIOR TO THE GRIT PUMP, P-111, BEING TURNED ON.
 -GRIT CLASSIFIER SCREW ME-141 SHALL BE ENERGIZED/STARTED SO THAT IT FUNCTIONS FOR A SET PERIOD OF TIME (0-15 MINUTES) PRIOR TO THE GRIT PUMP, P-121, BEING TURNED ON.

APPROVED: Richard A. Alaimo PROFESSIONAL ENGINEER NEW JERSEY LICENSE NO. 13195	REVISIONS DATE BY	 RICHARD A. ALAIMO ENGINEERING COMPANY Consulting Engineers NJDCA 24GA27988800 200 HIGH STREET MOUNT HOLLY, N.J. 2 MARKET STREET PATERSON, N.J.	GRIT CHAMBER UPGRADE PROCESS AND INSTRUMENTATION DIAGRAM SHEET 2	CLIENT: WOODBRIIDGE TOWNSHIP	DATE: APRIL 2017	SHEET 13
	PROJECT LOCATION: WOODBRIIDGE TOWNSHIP MIDDLESEX COUNTY NEW JERSEY		PROJECT NO.: B-0726-0023-000	CONTRACT NO.: 1230	DRAWN BY: LMG	CHECKED BY: LMG