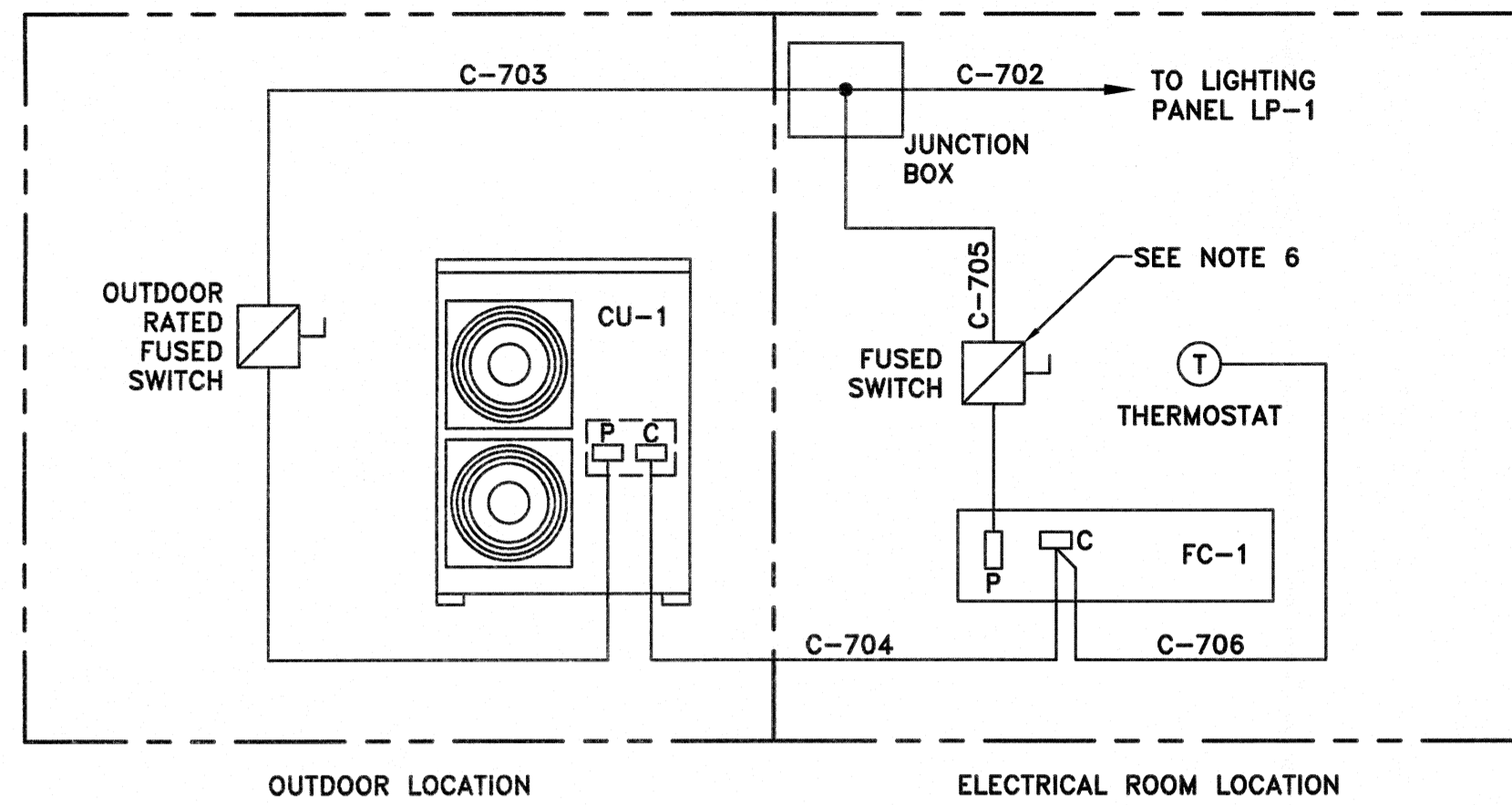
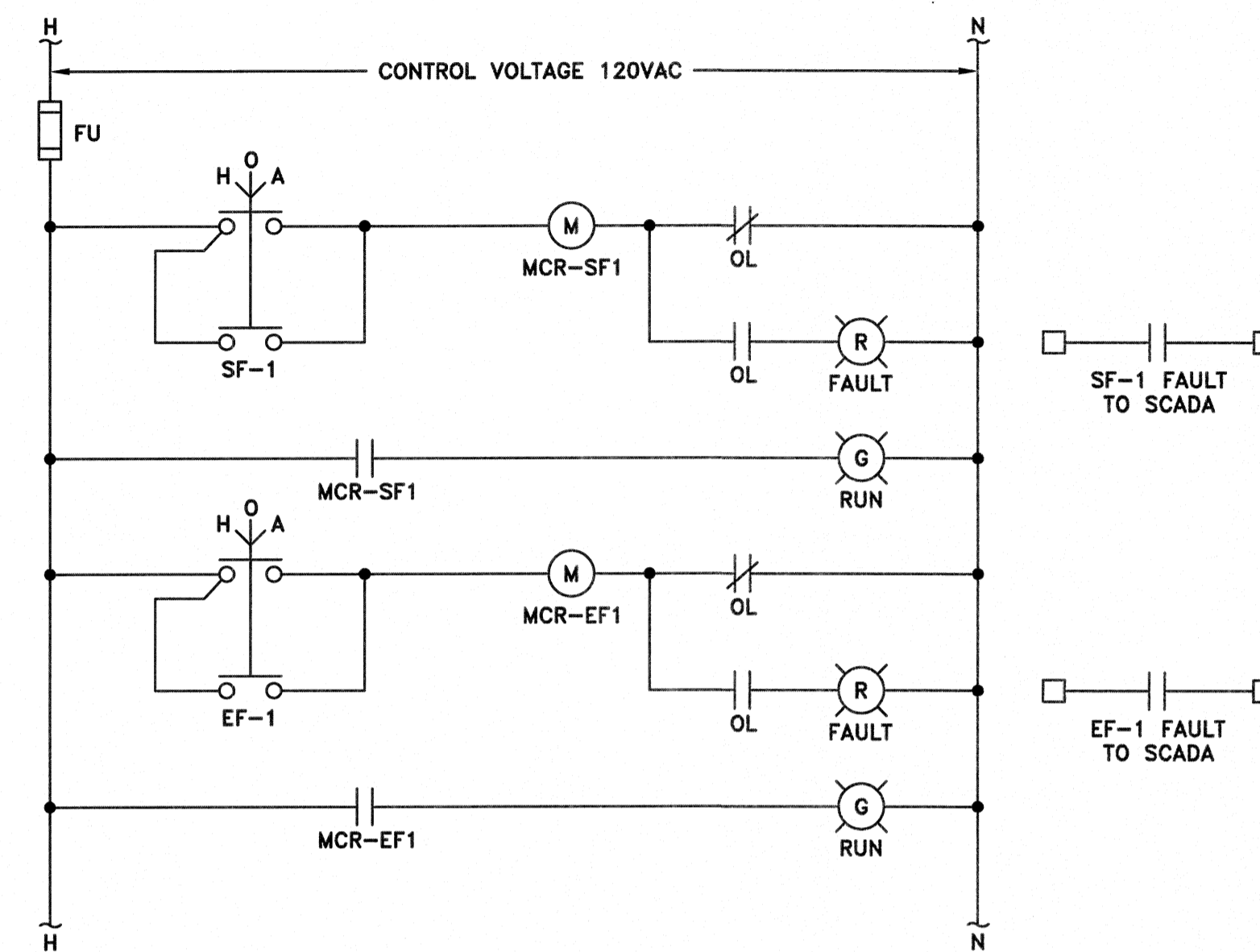


HVAC BLOCK DIAGRAM



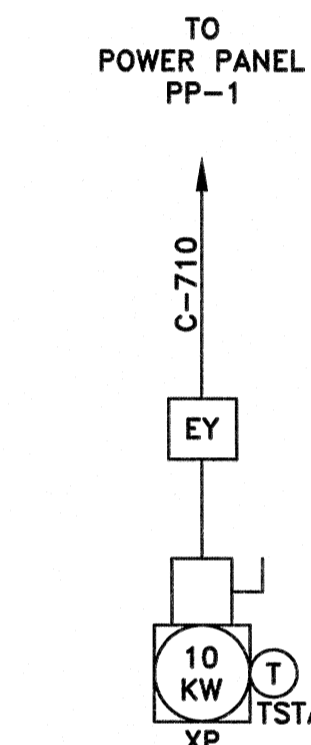
SPLIT HVAC UNIT BLOCK DIAGRAM



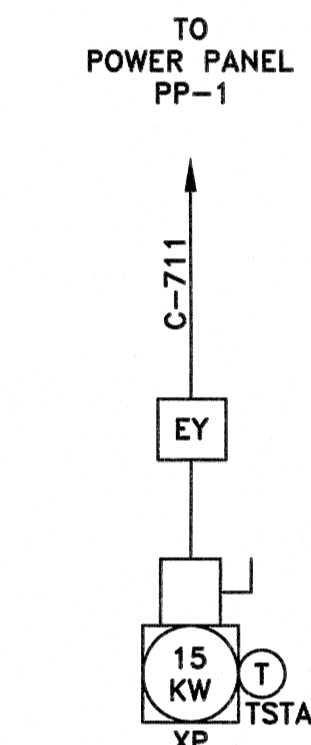
HVAC CONTROL PANEL WIRING DIAGRAM

- LEGEND:**
- EXISTING EQUIPMENT
 - NEW WORK
 - COMBINATION STARTER
 - FUSED DISCONNECT
 - NON-FUSED DISCONNECT

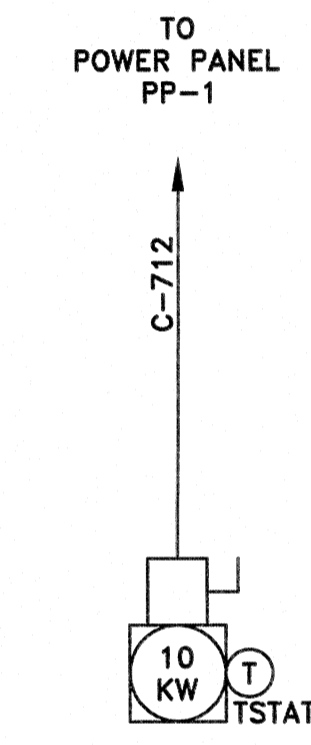
- NOTES - GENERAL:**
- ALL ELECTRICAL WORK SHALL BE IN ACCORDANCE WITH THE LATEST ADOPTED EDITION OF THE NATIONAL ELECTRICAL CODE (NEC).
 - ALL ELECTRICAL WORK SHALL BE PERFORMED BY A NEW JERSEY LICENSED ELECTRICAL CONTRACTOR.
 - CONTRACTOR SHALL INSTALL ALL NEW CONDUIT AND WIRING AS SHOWN.
 - CONTRACTOR SHALL LOCATE ALL SWITCHES IN ACCORDANCE WITH A.D.A. REGULATIONS AND ALL RECEPTACLES SHALL BE INSTALLED AT A HEIGHT NOT LESS THAN 24" A.F.G.
 - CONTRACTOR SHALL INSTALL EXPLOSION PROOF FITTINGS AS SHOWN IN ACCORDANCE WITH N.E.C. ARTICLES 500, 501 AND 502 AND IN ACCORDANCE WITH NFPA 820.
 - CONTRACTOR SHALL SIZE FUSES IN ACCORDANCE WITH N.E.C. CODE AND MANUFACTURERS RECOMMENDATIONS.



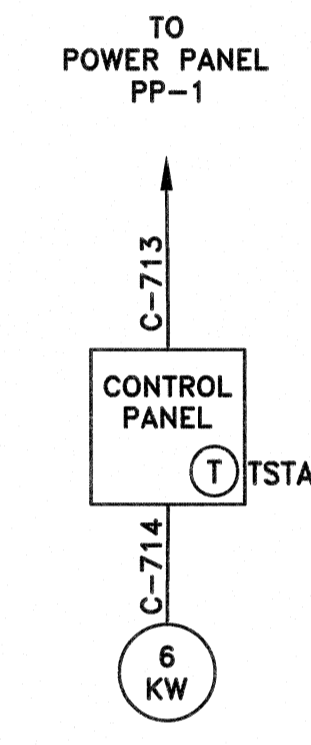
ELECTRIC UNIT HEATER EUH-1 BLOCK DIAGRAM



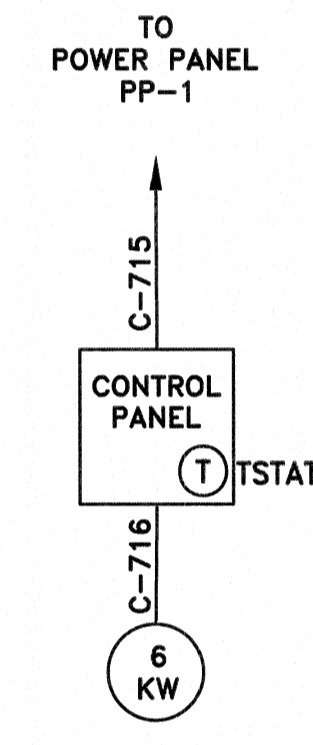
ELECTRIC UNIT HEATER EUH-2 BLOCK DIAGRAM



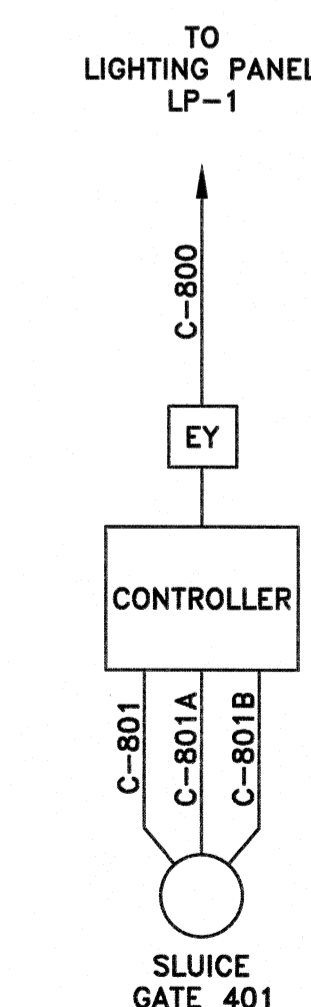
ELECTRIC UNIT HEATER EUH-3 BLOCK DIAGRAM



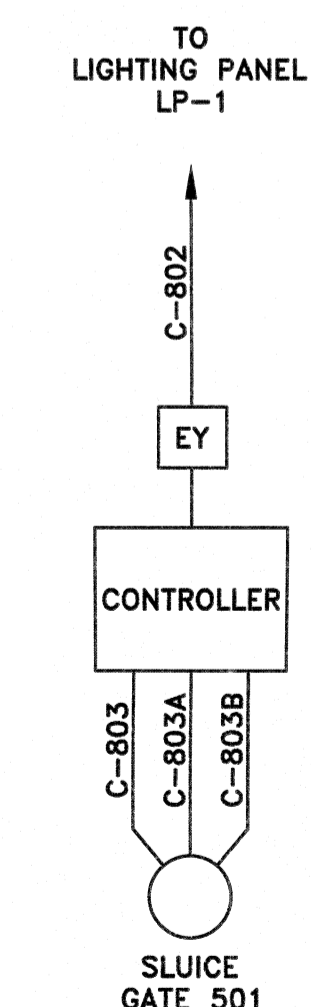
ELECTRIC UNIT HEATER EUH-4 BLOCK DIAGRAM



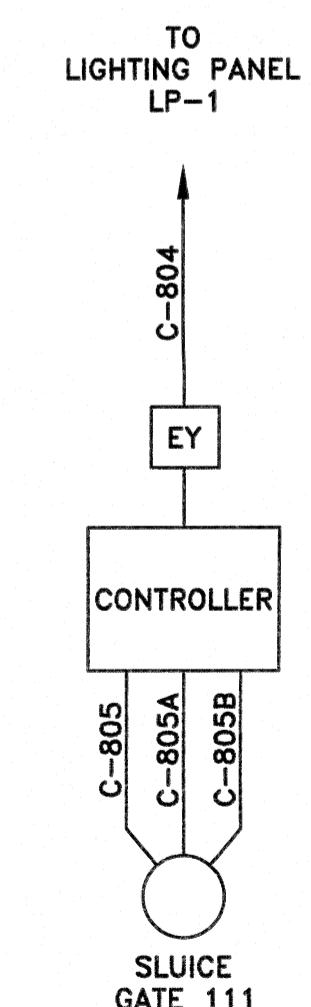
ELECTRIC UNIT HEATER EUH-5 BLOCK DIAGRAM



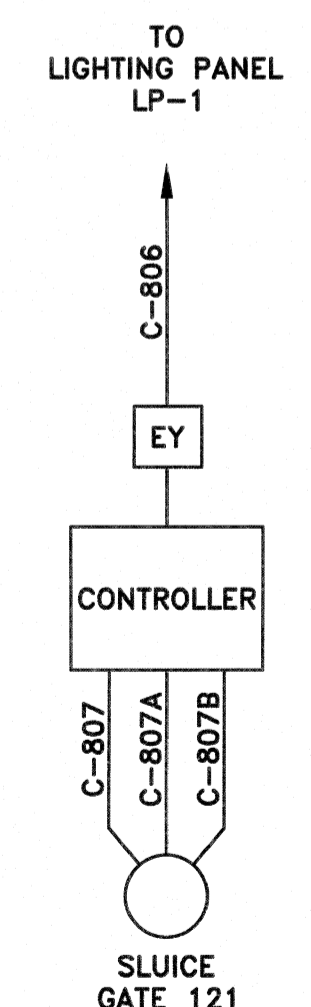
SLUICE GATE 401 BLOCK DIAGRAM



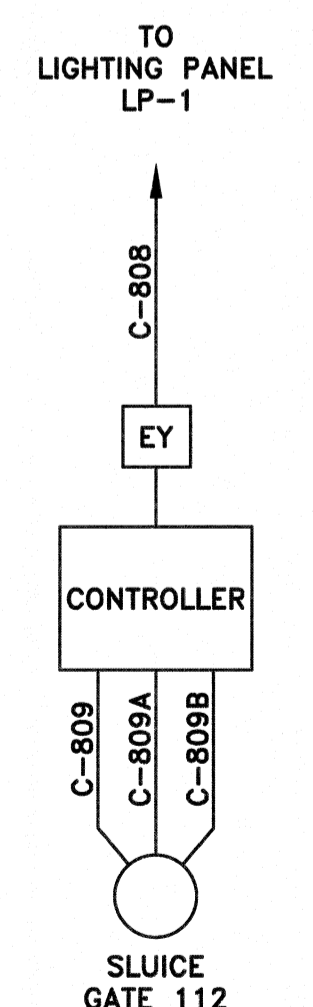
SLUICE GATE 501 BLOCK DIAGRAM



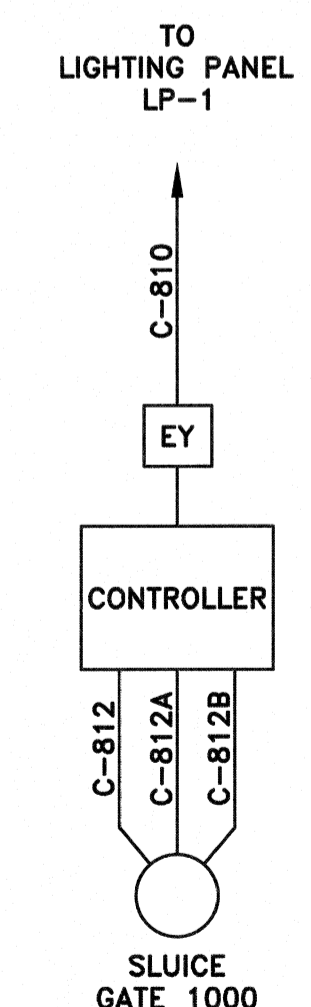
SLUICE GATE 111 BLOCK DIAGRAM



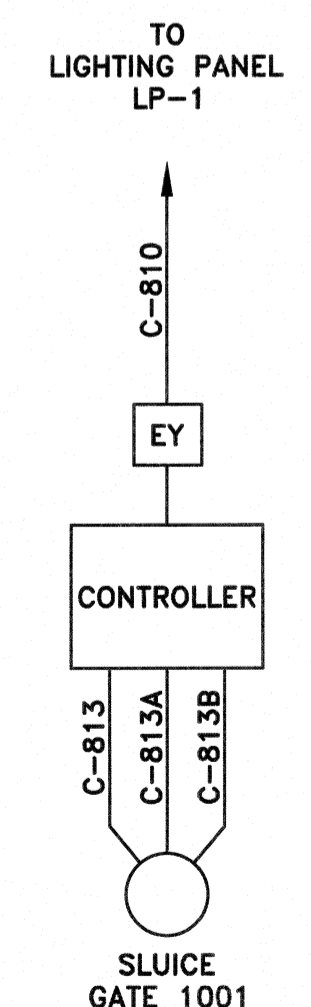
SLUICE GATE 121 BLOCK DIAGRAM



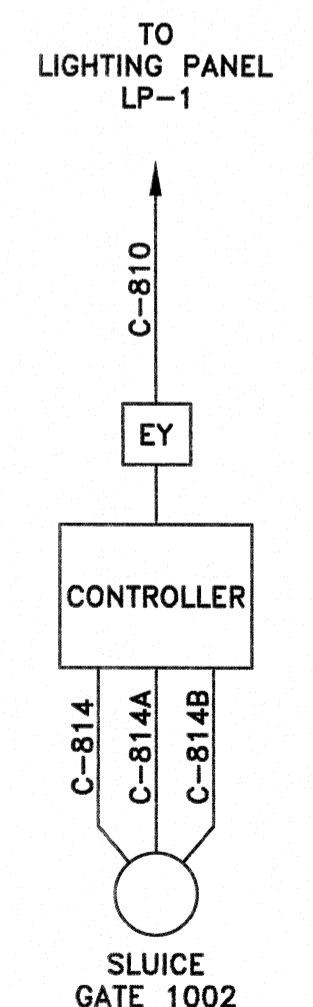
SLUICE GATE 112 BLOCK DIAGRAM



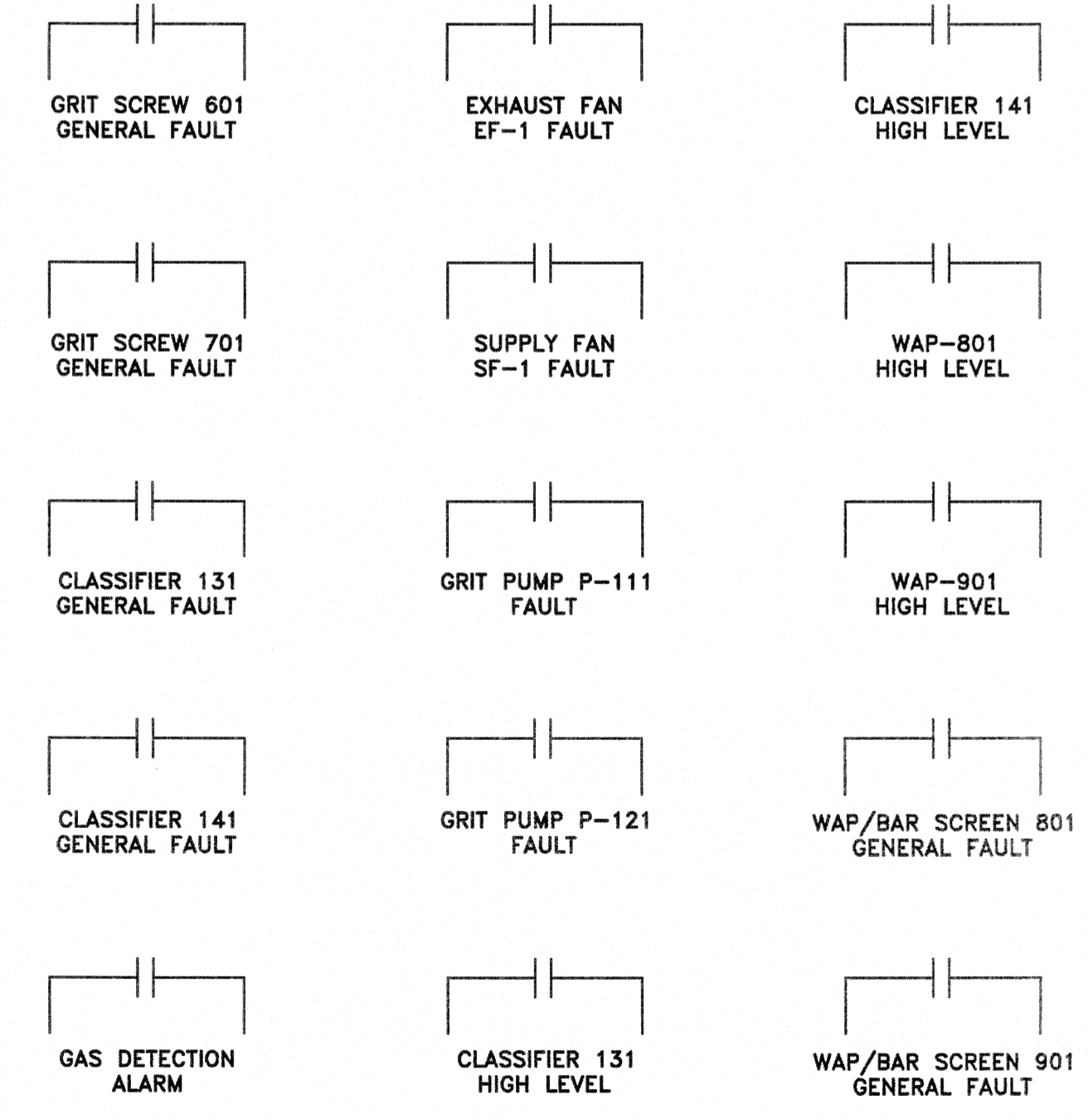
SLUICE GATE 1000 BLOCK DIAGRAM



SLUICE GATE 1001 BLOCK DIAGRAM



SLUICE GATE 1002 BLOCK DIAGRAM



SCADA ALARMS

APPROVED: <i>[Signature]</i> Richard A. Alaimo PROFESSIONAL ENGINEER NEW JERSEY LICENSE NO. 13195	REVISIONS DATE BY	RICHARD A. ALAIMO ENGINEERING COMPANY Consulting Engineers NJDCA 24GA27988800 200 HIGH STREET MOUNT HOLLY, N.J. 2 MARKET STREET PATERSON, N.J.	CLIENT: WOODBRIDGE TOWNSHIP PROJECT LOCATION: WOODBRIDGE TOWNSHIP MIDDLESEX COUNTY NEW JERSEY PROJECT NO.: B-0726-0023-000 CONTRACT NO.: 1230	DATE: APRIL 2017 DESIGNED BY: JRN DRAWN BY: DM CHECKED BY: DEPT. HEAD:	SHEET E5 FILE NO.:
	ELECTRICAL BLOCK DIAGRAMS 2 OF 2		SCALE: NONE	GRIT CHAMBER UPGRADE	PROJECT NO.: B-0726-0023-000 CONTRACT NO.: 1230

Path: /10/2017 2:36 PM Local saved: /10/2017 2:14 PM File Name: K:\Projects\B07260023000\Drawings\Eqr-ED4-ED5_Elec_Block_Diagrams.dwg